

## PCS-TL50/SCCP PCSA-SCTL50

### Replace Your Telephone With a Video Communication Terminal

Sony unveils the PCS-TL50/SCCP for Cisco CallManager, a Video Communication Terminal that is designed to seamlessly integrate with your Cisco IP communication environment. With the PCS-TL50/SCCP for Cisco CallManager, initiating a videoconference is as easy as making a telephone call. Soft keys can be used for a number of commands including, call forwarding, call transferring, and hold. A corporate directory (phone book) can be set up so users can quickly and easily search for people in the organization to initiate videoconference calls. The PCS-TL50/SCCP for Cisco CallManager is an ideal Video Communication Terminal for organizations that have adopted the Cisco CallManager.



**IPELA™**  
INTEGRATED VISUAL COMMUNICATION

## FEATURES

### All-in-One Sleek Design

- Ideal for small meeting rooms and executive offices
- Completely integrated unit – 20-inch (viewable area measured diagonally) wide-screen LCD, camera with privacy shutter, speakers, and microphones
- Simultaneously operates as a videoconference terminal and PC monitor
- Intuitive and user-friendly GUI, Easy-to-Use Remote Commander® unit
- Picture-in-Picture, Picture-and-Picture

### High-Quality Business Communication

- High-Quality Audio and Video
- Bandwidth up to 1920 Kb/s
- Interoperable with H.323 and H.320 via Cisco CallManager

### Ease-of-Use/Flexible Calling Features

- 3-number Speed Dial, Abbreviated Dial (01 to 99), up to 48-call history
- Access to Corporate Directory (phone book)
- Call Forwarding, Call Transfer, Call Pick-up, Hold, Park
- Caller ID

### Easy Maintenance

- Centralized administration (settings for entire system, software updates from Cisco CallManager)
- Separate management of videoconference system and IP-telephony system not required



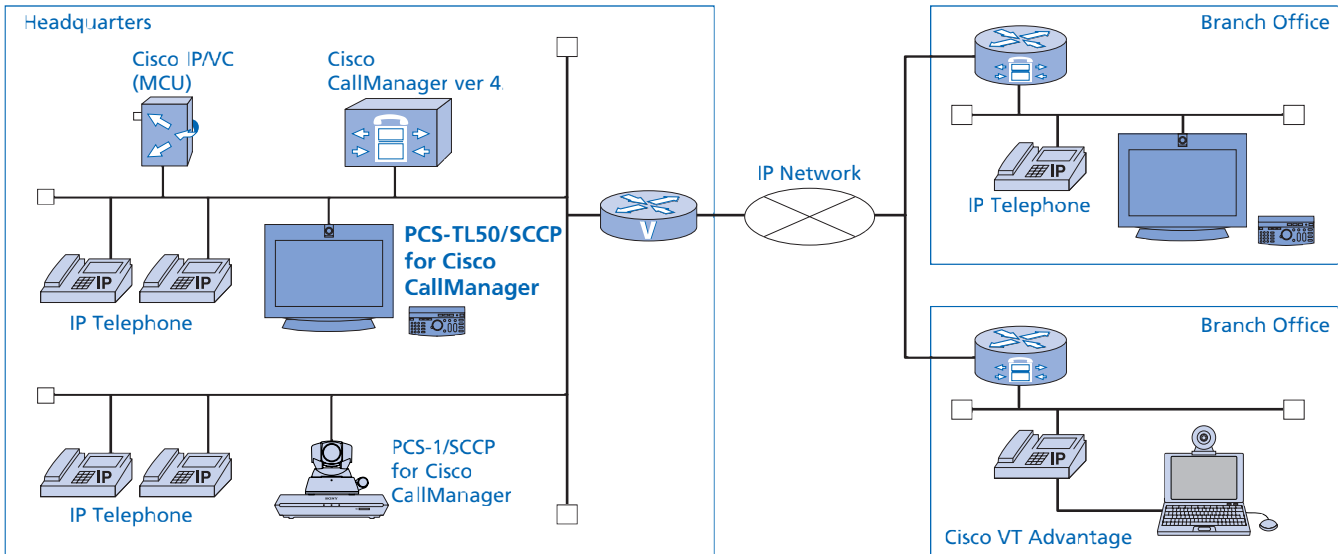
Speed Dial

Soft Keys

Launcher Menu



# SAMPLE SYSTEM CONFIGURATION



## SPECIFICATIONS

### Communication

Protocol	Cisco SCCP (Skinny Client Control Protocol) Compliant with Cisco CallManager Version 4.1
Interoperability	Interoperable with H.323 and H.320 via Cisco CallManager MCU
MCU	Available via Cisco IP/VC

### Video

Standards	H.261, H.263, H.264
Resolution	CIF (352 x 288), QCIF (176 x 144)
Frame rate	Max. 30 frames/s
Bit rate	64 to 1920 Kb/s (incl. audio)

### Audio

Bandwidth and coding	G.711: 3.4 kHz at 56/64 Kb/s G.722: 7.0 kHz at 48/56/64 Kb/s G.723.1: 3.4 kHz at 5.3/6.3 Kb/s G.728: 3.4 kHz at 16 Kb/s*1 G.729: 3.4 kHz at 8 Kb/s
----------------------	--

### Integrated Display

LCD	20" (Viewable area measured diagonally) Wide-screen TFT
Aspect ratio	16:9
Resolution	1280 x 768 (WXGA)
Brightness	400 Cd/m2 (max.)
Response	Less than 15 ms
Contrast ratio	500:1
Viewing angle	Greater than 160°
Colors	16.7 million

### Integrated Camera

Image device	1/3 type CCD
Horizontal resolution	450 TV lines
Focal length	4.0 mm (F2.0)
Focus	Pan Focus
IRIS	Auto (Digital AGC)
Zoom ratio	x2 (Digital zoom)
Pan angle	-35° to +35° (Digital)
Tilt angle	-26° to +26° (Digital)
Preset	Up to 6 positions
S/N	48 dB
Others	Backlight compensation, Auto white balance

### Integrated Microphones

Frequency response	15k kHz Unidirectional x2
--------------------	---------------------------

### Integrated Speakers

Output	3 W x 2
--------	---------

### Remote Commander Unit

Format	Wireless SIRCS
--------	----------------

### Interface

Video (for offline use only)	Composite input, RGB input, D-Sub 15
Audio	External microphone input (Plug in power) External headphone output (mini-jack)
Audio (for offline use only)	Line input (Stereo), RCA x 2, Line input (Stereo), mini-jack
Network	10Base-T/100Base-TX
Memory Stick	Memory Stick™ slot

### General

Operating temperature	41 to 95 °F (5 to 35 °C)
Operating humidity	20 to 80%
Storage temperature	-4 to 140 °F (-20 to +60 °C)
Storage humidity	20% to 80%
Power requirements	AC 120 V (UC), AC 220 V to 240 V (CE), 50/60 Hz
Power consumption	DC 19.5 V, 7.7 A
Main unit dimensions (W x H x D)	20 7/8 x 17 5/8 x 4 3/8 inches (528 x 445 x 110 mm), excl. projections
Remote Commander unit dimensions (W x H x D)	6 5/8 x 3 3/4 x 3 1/2 inches (167.4 x 19 x 87.3 mm), excl. projections
Main unit weight	22 lbs 1 oz (10 kg)
Remote Commander unit weight	6.3 oz (180 g)

### Supplied Accessories

<ul style="list-style-type: none"> <li>PCS-RTL50 Remote Commander unit</li> <li>PCS-AC19V8 AC Adaptor</li> <li>Manganese Battery for Remote Commander unit x2</li> <li>Operation Guide</li> <li>Quick Operation Guide</li> <li>Operation Manual CD-ROM</li> <li>Worldwide Warranty Card</li> </ul>
--

### Optional Accessories

<ul style="list-style-type: none"> <li>PCS-A1 Omnidirectional Microphone</li> <li>PCSA-A3 Unidirectional Microphone</li> </ul>
--

\*1 PCS Series to PCS Series only

# SONY®

Sony Electronics Inc.  
1 Sony Drive  
Park Ridge, NJ 07656  
www.sony.com/conferencesolutions

©2005 Sony Corporation. All rights reserved.  
Reproduction in whole or in part without written permission is prohibited.  
Features and specifications are subject to change without notice.  
All non-metric weights and measurements are approximate.  
Some images in this brochure are simulated.  
Sony, Remote Commander, IPELA and Memory Stick are trademarks of Sony.  
Cisco is a trademark of Cisco.